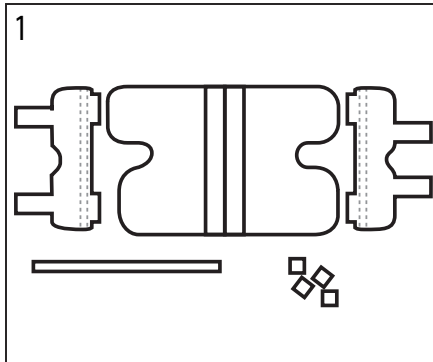


# Knee Immobilizer Three Panel

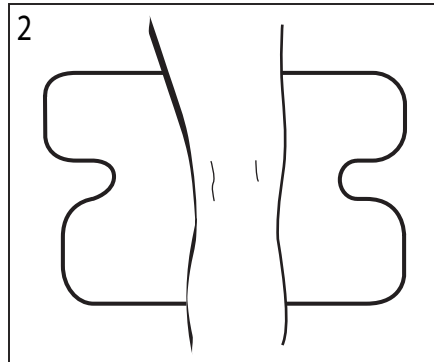
## APPLICATION INSTRUCTIONS

CP020410 Rev B 08/08

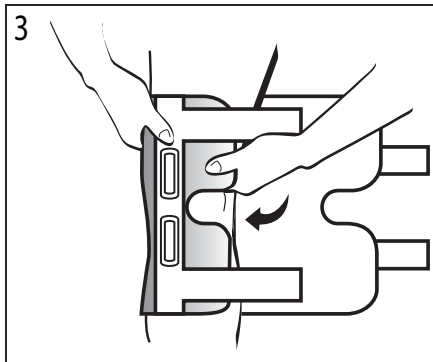
This device is offered for sale by or on the order of a physician or other qualified medical professional. This device is not intended for reuse on a second patient or for extended use beyond 180 days. This device is not intended to prevent injuries or reduce or eliminate the risk of injury.



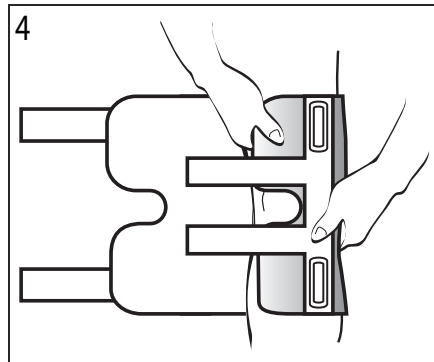
1. Separate Components  
Separate panels, hook tabs and patella strap.



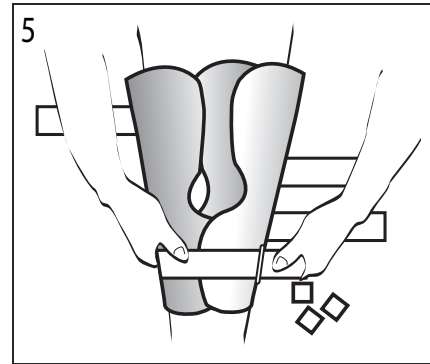
2. Align the Leg  
Center the leg on the rear stays.



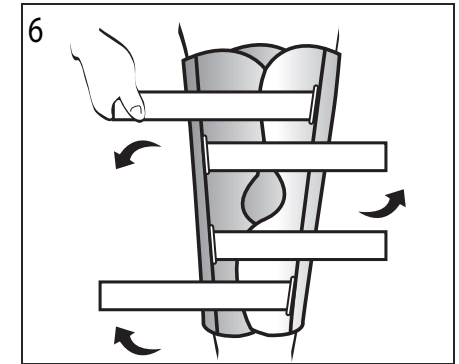
3. Position Lateral Panel  
Fold cuff over the leg and position stay panel so that the patella cut-out is around the patella. Secure the panel using the fasteners on the panel.



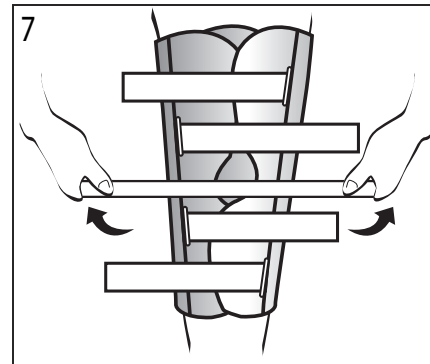
4. Position Medial Panel  
Repeat step 3 for the medial panel.



5. Secure Lower Strap  
Pull the lower strap through the D-ring and secure with the hook tabs provided.



6. Secure Remaining Straps  
Using the same method in step 5, secure the remaining straps. Trim straps if necessary.



7. Secure Patella Strap  
Place patella strap over the center of the knee and secure on both sides.

**INDICATIONS:** Indicated for immediate application to knees for locked or limited motion control of knee during rehabilitation after operative procedures or injury to knee ligaments, cartilage, or stable or internally fixed fractures of the tibial plateau, condyles, or proximal tibia and distal femur.

**CONTRAINDICATIONS:** Contraindicated for unstable fractures or for fractures of the proximal femur or the distal tibia or fibula.

**WARNINGS:** Do not leave this device in the trunk of a car on a hot day or in any other place where the temperature may exceed 150°F (65°C) for any extended period of time. If any additional pain or symptoms occur while using this brace, discontinue use and seek medical attention.

**WARRANTY:** This device is warranted to be free from defects in material and workmanship for a period of 90 days. This warranty applies to devices that have not been modified or subjected to misuse, abuse or neglect. This device is expressly subject to Bledsoe's Product Line Limited Warranty. Copies of this limited warranty can be obtained from your medical professional, via the internet at



Council Directive 93/42/EEC  
of 14 June 1993 concerning Medical devices

MANUFACTURED BY:  
**BLED SOE BRACE SYSTEMS™**  
2601 Pinewood; Grand Prairie, Texas, 75051, USA  
Toll Free Tel: 1.888.BLED SOE (253.3763) • 1.800.527.3666  
Local: 972.647.0884 • Local Fax: 972.660.5495  
International Fax: 972.606.0649  
[www.BledsoeBrace.com](http://www.BledsoeBrace.com)

EUROPEAN AUTHORIZED REPRESENTATIVE

EC	REP	EMERGO EUROPE Molenstraat 15 2513 BH, The Hague The Netherlands Tel: (+31) 70 345 8570 Fax: (+31) 70 346 7299
----	-----	--